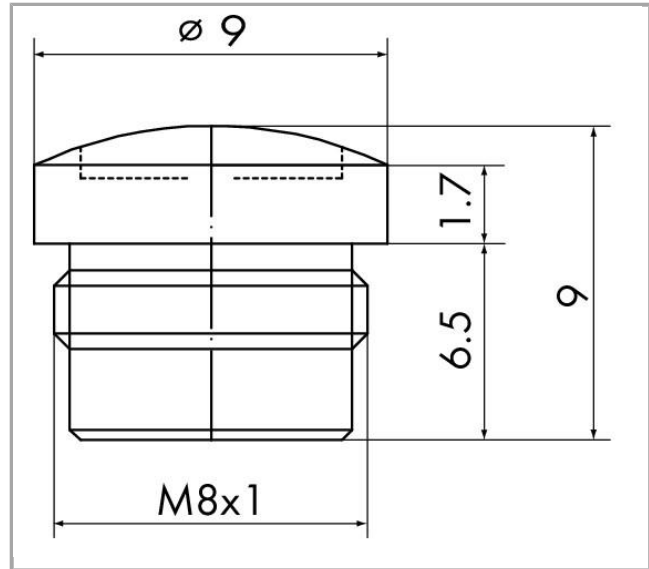


756-8101



#### Data

##### Mechanical data

Weight 0.2g

##### Environmental Requirements

Protection class IP67

##### Commercial data

Product Group 23 (I/O passive and accessories)

Country of origin CZ

GTIN 4045454301149

Customs Tariff No. 39269097900



## Material Data

Fire load	0MJ
Weight	0.2g

## Downloads

### Documentation

#### System Description

767 Series, SPEEDWAY accessories, data sheet	pdf 1.0 MB	Download
IP67 Cables and Pluggable Connectors	pdf 293.9 kB	Download

Subject to changes.